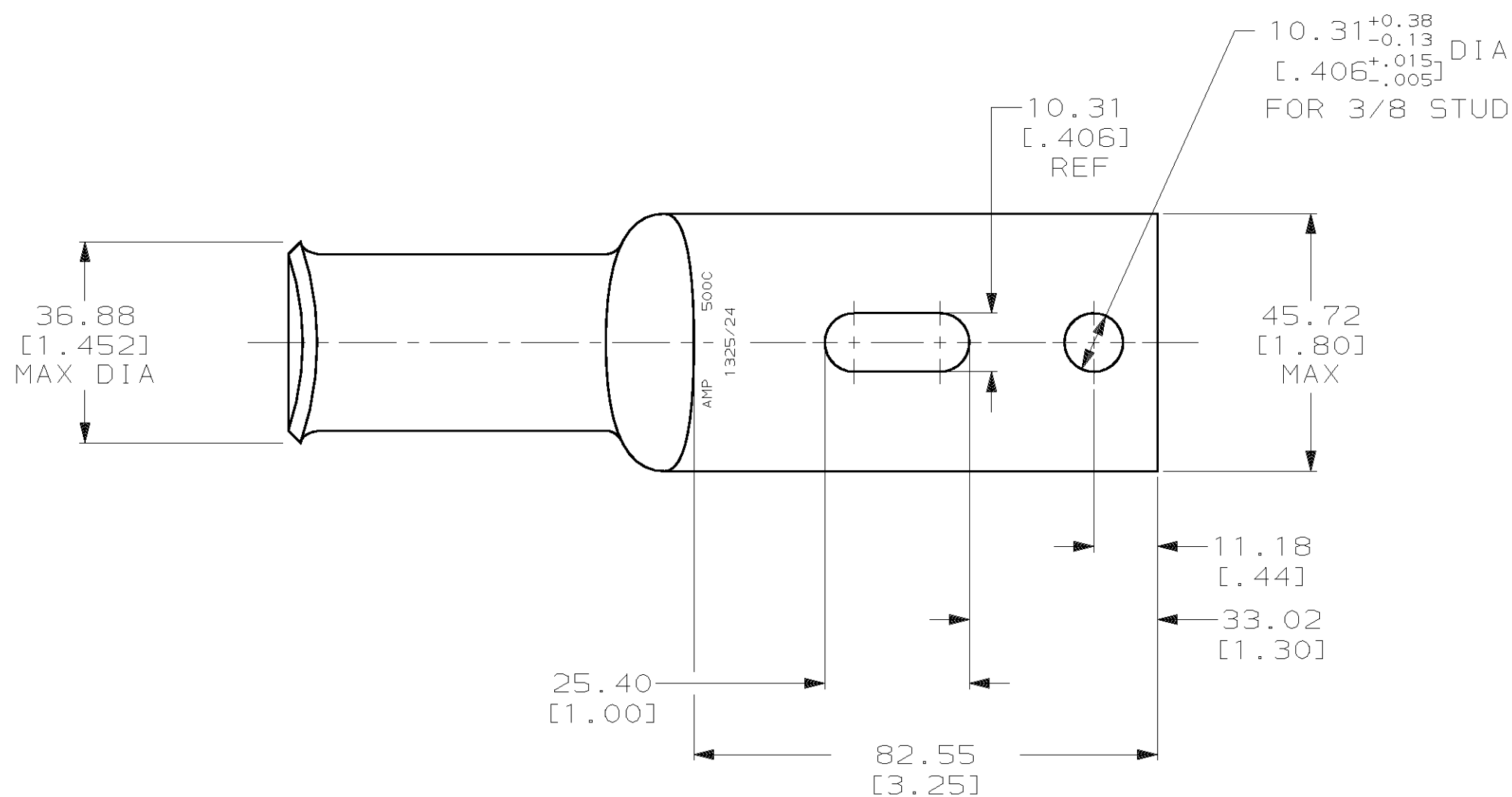
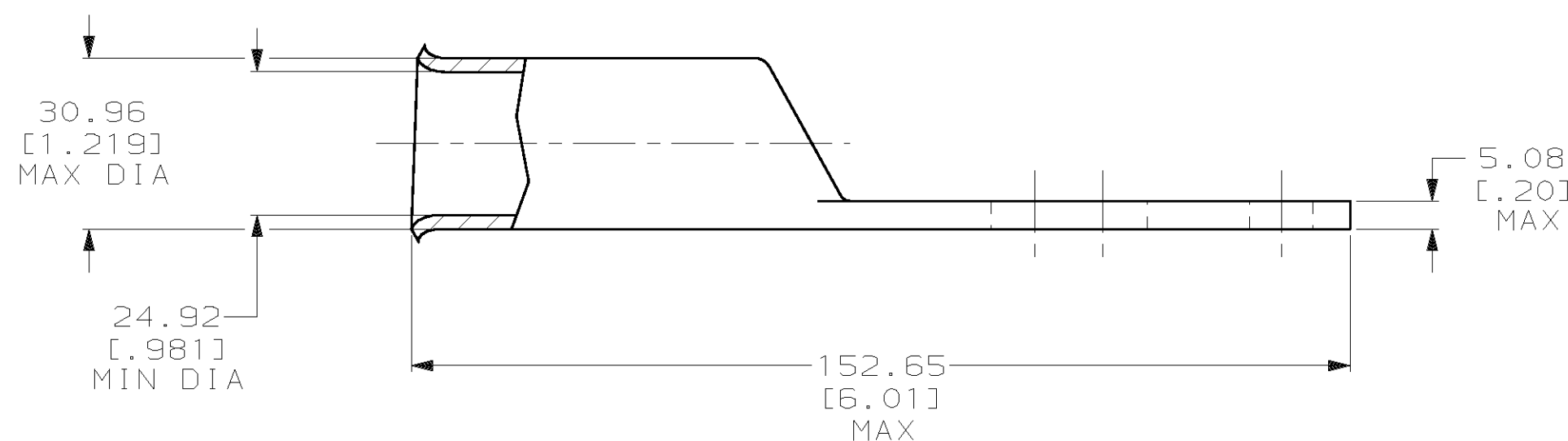


THIS DRAWING IS UNPUBLISHED. RELEASED FOR PUBLICATION ,19 .
 © COPYRIGHT 19 BY AMP INCORPORATED. ALL INTERNATIONAL RIGHTS RESERVED.

LOC		DIST		P		F		REVISIONS			
ZONE	LTR	DESCRIPTION	DATE	APPD							
G	86					C	REV PER 0G3A-0561-01	07OCT02	JR/MS		



1 CIRCULAR MIL AREA RANGE: 450-550 MCM
 2 TIN PL 0.00381 [.000150] MIN THK PER MIL-T-10727



276964-1

PART NO

DO NOT SCALE PRINT. UNLESS SPECIFIED DIMENSIONS IN mm [INCHES] TOLERANCES ON : 2 PLC DEC ± 0.51 [.020] 3 PLC DEC ± - ANGLES ± -		DR 03/09/90 DK SCHRUM		AMP INCORPORATED Harrisburg, Pa. 17105	
MATERIAL ANNEALED COPPER ASTM B-75		CHK 24JAN95 MS FEHER			
FINISH △		APPD 24JAN95 WJ VOCKROTH		NAME TERMINAL, AMPPOWER, WIRE SIZE: 500 MCM	
APPLICATION SPEC -		APPD 24JAN95 TL SHUTTER		DRAWING NO 276964	
WEIGHT -		PRODUCT SPEC 108-30200		SIZE C	
		APPLICATION SPEC -		CAGE CODE 00779	
		SCALE 1:1		SHEET 1 OF 1	

CUSTOMER DRAWING